



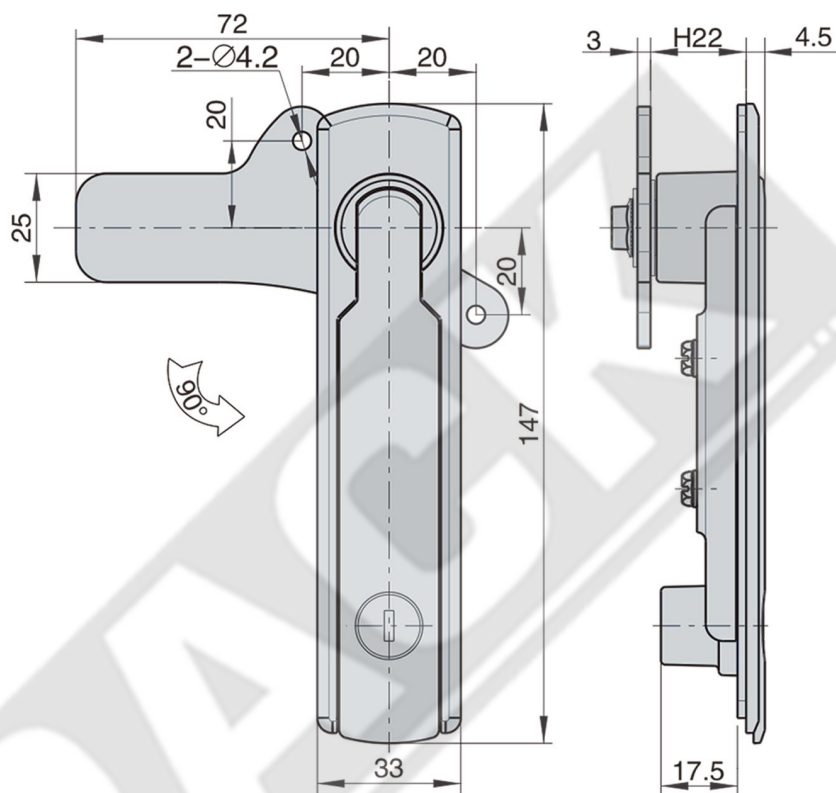
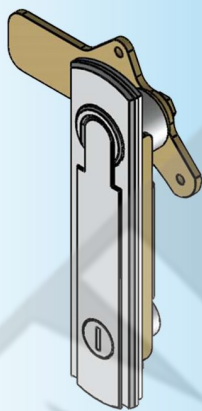
For Product Step File or 3D Model Send a Request Mail To info@nrack.com

Photo View

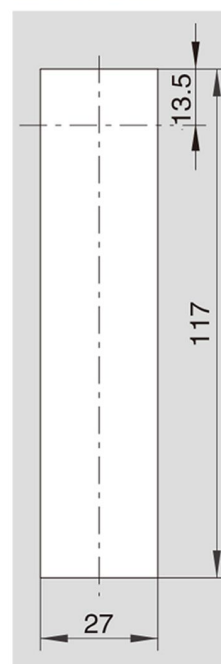


K0570

3D Rendered View



■ Cut Out



MS 751-1-1

- Material: Zinc die- casting body and shaft, Zinc plating cam, fixing parts
- Finish: Gray chrome plating
Black powder coated
- Panel thickness: 1~6mm
- Remark: cam cutout □8x8